



MALLA REDDY COLLEGE OF ENGINEERING & TECHNOLOGY

(Autonomous Institution – UGC, Govt. of India)

(Affiliated to JNTU, Hyderabad, Approved by AICTE - Accredited by NBA & NAAC – 'A' Grade - ISO 9001:2015 Certified)
Maisammaguda, Dhulapally, Komapally, Secunderabad – 500100, Telangana State, India.

7.1.2. ALTERNATE **SOURCES OF ENERGY**



MALLA REDDY COLLEGE OF ENGINEERING & TECHNOLOGY

(Autonomous Institution – UGC, Govt. of India)

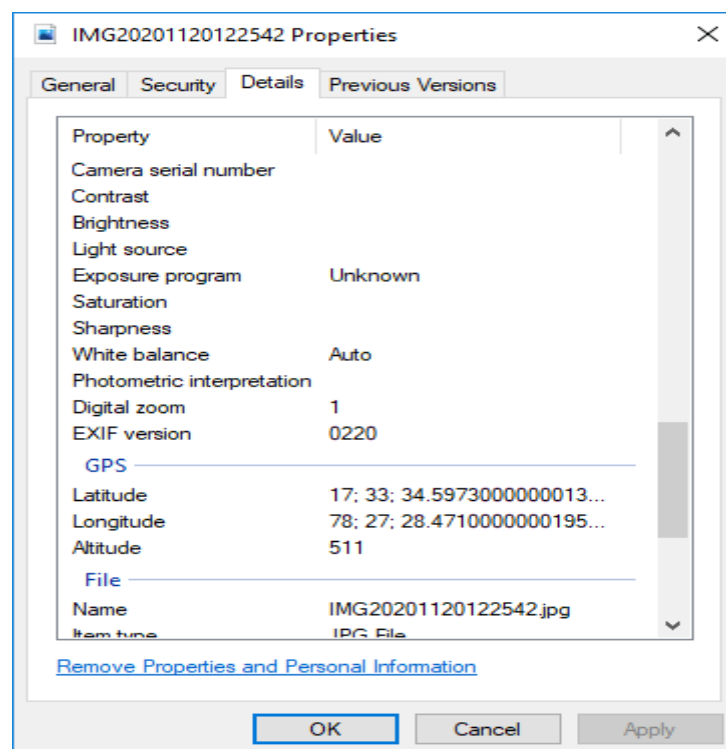
(Affiliated to JNTU, Hyderabad, Approved by AICTE - Accredited by NBA & NAAC – 'A' Grade - ISO 9001:2015 Certified)

Maisammaguda, Dhulapally, Komapally, Secunderabad – 500100, Telangana State, India.

S.NO	PARTICULARS
1	Solar Energy
2	Sensor-based Energy Conservation
3	Use of LED Bulbs/Power Efficient Equipment

1.SOLAR ENERGY

The Institution has facilities for alternate sources of energy and energy conservation measures. The first and foremost alternate source of energy used is Solar Energy. Solar Panels are deployed in the campus as energy conservation measure. The related Geotagged photographs are shown below:





IMG20201120122628 Properties

General Security Details Previous Versions

Property	Value
Camera serial number	
Contrast	
Brightness	
Light source	
Exposure program	Unknown
Saturation	
Sharpness	
White balance	Auto
Photometric interpretation	
Digital zoom	1
EXIF version	0220
GPS	
Latitude	17; 33; 34.4668000000021...
Longitude	78; 27; 28.4984999999870...
Altitude	511
File	
Name	IMG20201120122628.jpg
Item type	JPG File

[Remove Properties and Personal Information](#)

OK Cancel Apply

Tax Invoice(Page 4)

Solar Idea Private Limited Door No.8-2-277/A/7, Plot No.126 Road No.2 Banjara Hills Hyderabad-34. GSTIN/UIN: 36AAUC87406B1Z7 State Name : Telangana, Code : 36 CIN: U40106TG2014PTC094915 E-Mail : info@solaridea.com	Invoice No. 440/2019-20	Dated 10-Dec-2019
Consignee Mr. Mahendar Reddy Villa.No.169, Aparna Palm Meadows, Kompally. State Name : Telangana, Code : 36	Delivery Note	Mode/Terms of Payment
	Supplier's Ref. Ec/038	Other Reference(s)
	Buyer's Order No.	Dated
	Despatch Document No.	Delivery Note Date
	Despatched through	Destination
Terms of Delivery		
Buyer (if other than consignee) Mr. Mahendar Reddy Villa.No.169, Aparna Palm Meadows, Kompally. State Name : Telangana, Code : 36		

Sl No.	Description of Goods	HSN/SAC	Quantity	Rate	per	Disc. %	Amount
	STATE GST @ 2.5%			2.50	%		1,547.62
Total			1 Nos				₹ 65,000.00

Amount Chargeable (in words) E. & O.E
Rs Sixty Five Thousand Only

HSN/SAC	Taxable Value	Central Tax		State Tax		Total Tax Amount
		Rate	Amount	Rate	Amount	
8504	61,904.76	2.50%	1,547.62	2.50%	1,547.62	3,095.24
Total	61,904.76		1,547.62		1,547.62	3,095.24

Tax Amount (in words) : **Rs Three Thousand Ninety Five and Twenty Four paise Only**

Company's PAN : AAUCS7406B	Company's Bank Details Bank Name : Syndicate Bank-30091400000317(OD) A/c No. : 30091400000317 Branch & IFS Code : Golconda & SYNB0003009
Declaration... We declare that this invoice shows the actual price of the goods described and that all particulars are true and correct.	
for Solar Idea Private Limited _____ Authorised Signatory	

This is a Computer Generated Invoice

Handwritten Signature
 7032660044

Tax Invoice(Page 3)

Solar Idea Private Limited Door No.8-2-277/A/7, Plot No.126 Road No.2 Banjara Hills Hyderabad-34. GSTIN/UIN: 36AAUCS7406B1Z7 State Name : Telangana, Code : 36 CIN: U40106TG2014PTC094915 E-Mail : info@solaridea.com	Invoice No. 440/2019-20	Dated 10-Dec-2019
Consignee Mr. Mahendar Reddy Villa.No.169, Aparna Palm Meadows, Kompally. State Name : Telangana, Code : 36	Delivery Note	Mode/Terms of Payment
Buyer (if other than consignee) Mr. Mahendar Reddy Villa.No.169, Aparna Palm Meadows, Kompally. State Name : Telangana, Code : 36	Supplier's Ref. Ec/038	Other Reference(s)
	Buyer's Order No.	Dated
	Despatch Document No.	Delivery Note Date
	Despatched through	Destination
	Terms of Delivery	

Sl No.	Description of Goods	HSN/SAC	Quantity	Rate	per	Disc. %	Amount
	14. G I Dummy 15. 8 x 50 Anchor Bolt.12 Nos 16.3 KW Electrical Back Up.1 No						
	CENTRAL GST @ 2.5%			2.50	%		1,547.62

continued ...

This is a Computer Generated Invoice

Tax Invoice(Page 2)

Solar Idea Private Limited Door No.8-2-277/A/7, Plot No.126 Road No.2 Banjara Hills Hyderabad-34, GSTIN/UIN: 36AAUCS7406B1Z7 State Name : Telangana, Code : 36 CIN: U40106TG2014PTC094915 E-Mail : info@solaridea.com	Invoice No. 440/2019-20	Dated 10-Dec-2019
	Delivery Note	Mode/Terms of Payment
Consignee Mr. Mahendar Reddy Villa.No.169, Aparna Palm Meadows, Kompally. State Name : Telangana, Code : 36	Supplier's Ref. Ec/038	Other Reference(s)
	Buyer's Order No.	Dated
	Despatch Document No.	Delivery Note Date
	Despatched through	Destination
Buyer (if other than consignee) Mr. Mahendar Reddy Villa.No.169, Aparna Palm Meadows, Kompally. State Name : Telangana, Code : 36	Terms of Delivery	

Sl No.	Description of Goods	HSN/SAC	Quantity	Rate	per	Disc. %	Amount
	6. S S 6 x 20 Nut Bolts.45 Nos 7. Gas Cut Without Hole.10 Nos 8.Anode Rod.1 No 9.300 FPC Tank Structure.1no 10.Thread Planzas.2 Nos 11.8 x 25 Nut Bolts.8 Nos 12.Aluminium Dummy.3 Nos 13.6 x 9 MM Self Thread Screws.35 Nos						

continued ...

This is a Computer Generated Invoice

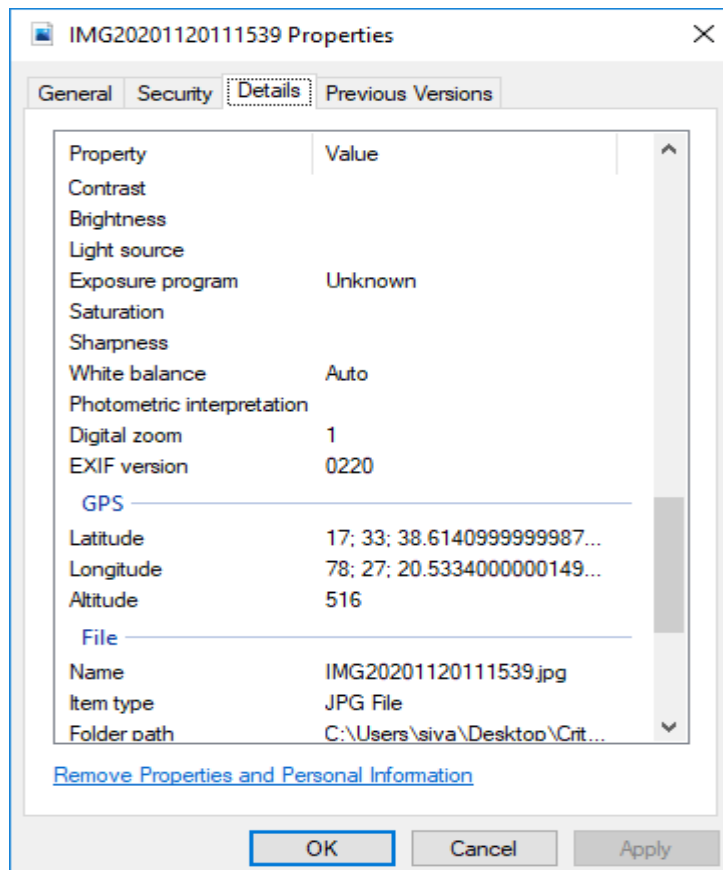
Tax Invoice

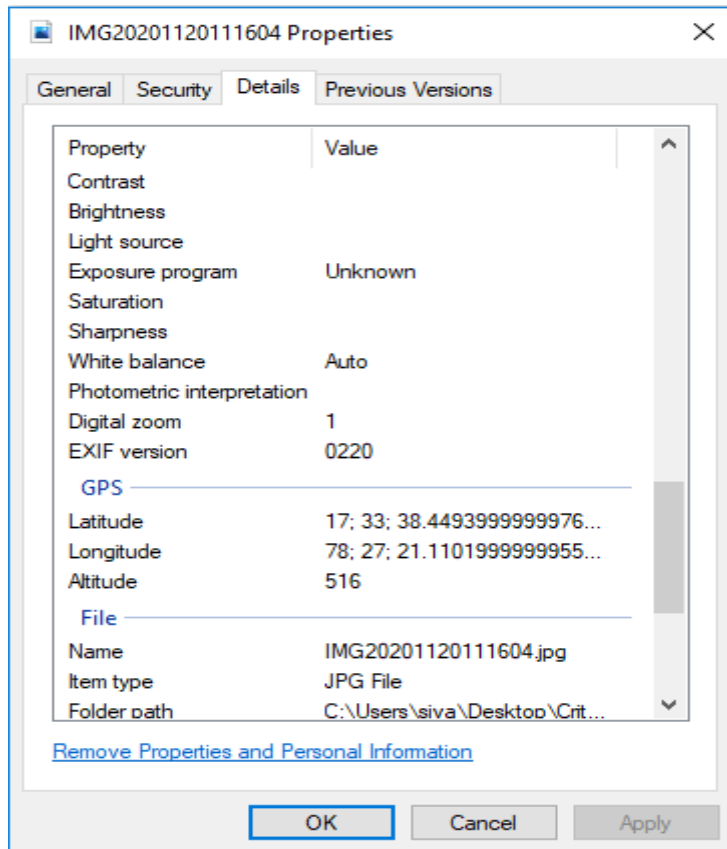
<p>Solar Idea Private Limited Door No.8-2-277/A/7, Plot No.126 Road No.2 Banjara Hills Hyderabad-34. GSTIN/UIN: 36AAUCS7406B1Z7 State Name : Telangana. Code : 36 CIN: U40106TG2014PTC094915 E-Mail : info@solaridea.com</p>	<table border="1" style="width: 100%; border-collapse: collapse;"> <tr> <td style="width: 50%;">Invoice No. 440/2019-20</td> <td style="width: 50%;">Dated 10-Dec-2019</td> </tr> <tr> <td>Delivery Note</td> <td>Mode/Terms of Payment</td> </tr> <tr> <td>Supplier's Ref. Ec/038</td> <td>Other Reference(s)</td> </tr> <tr> <td>Buyer's Order No.</td> <td>Dated</td> </tr> <tr> <td>Despatch Document No.</td> <td>Delivery Note Date</td> </tr> <tr> <td>Despatched through</td> <td>Destination</td> </tr> <tr> <td colspan="2">Terms of Delivery</td> </tr> </table>	Invoice No. 440/2019-20	Dated 10-Dec-2019	Delivery Note	Mode/Terms of Payment	Supplier's Ref. Ec/038	Other Reference(s)	Buyer's Order No.	Dated	Despatch Document No.	Delivery Note Date	Despatched through	Destination	Terms of Delivery									
Invoice No. 440/2019-20	Dated 10-Dec-2019																						
Delivery Note	Mode/Terms of Payment																						
Supplier's Ref. Ec/038	Other Reference(s)																						
Buyer's Order No.	Dated																						
Despatch Document No.	Delivery Note Date																						
Despatched through	Destination																						
Terms of Delivery																							
<p>Consignee Mr. Mahendar Reddy Villa.No.169, Aparna Palm Meadows, Kompally. State Name : Telangana, Code : 36</p>	<p>Buyer (if other than consignee) Mr. Mahendar Reddy Villa.No.169, Aparna Palm Meadows, Kompally. State Name : Telangana, Code : 36</p>																						
<table border="1" style="width: 100%; border-collapse: collapse;"> <thead> <tr> <th style="width: 5%;">Sl No.</th> <th style="width: 35%;">Description of Goods</th> <th style="width: 10%;">HSN/SAC</th> <th style="width: 10%;">Quantity</th> <th style="width: 10%;">Rate</th> <th style="width: 5%;">per</th> <th style="width: 5%;">Disc. %</th> <th style="width: 10%;">Amount</th> </tr> </thead> <tbody> <tr> <td style="text-align: center;">1</td> <td> 300LPD FPC Pressurised Solar Water Heater S.No. 1.300 LPD FPA Storage Tank.01 2. Standard Collector.2 Nos 3. Non Standard Collectors.1 No 4. Air Pressure Valv.1 No 5. Pressure Pipes.2 Nos </td> <td style="text-align: center;">8504</td> <td style="text-align: center;">1 Nos</td> <td style="text-align: right;">61,904.76</td> <td style="text-align: center;">Nos</td> <td></td> <td style="text-align: right;">61,904.76</td> </tr> </tbody> </table>								Sl No.	Description of Goods	HSN/SAC	Quantity	Rate	per	Disc. %	Amount	1	300LPD FPC Pressurised Solar Water Heater S.No. 1.300 LPD FPA Storage Tank.01 2. Standard Collector.2 Nos 3. Non Standard Collectors.1 No 4. Air Pressure Valv.1 No 5. Pressure Pipes.2 Nos	8504	1 Nos	61,904.76	Nos		61,904.76
Sl No.	Description of Goods	HSN/SAC	Quantity	Rate	per	Disc. %	Amount																
1	300LPD FPC Pressurised Solar Water Heater S.No. 1.300 LPD FPA Storage Tank.01 2. Standard Collector.2 Nos 3. Non Standard Collectors.1 No 4. Air Pressure Valv.1 No 5. Pressure Pipes.2 Nos	8504	1 Nos	61,904.76	Nos		61,904.76																
continued ...																							

This is a Computer Generated Invoice

2. SENSOR BASED ENERGY CONSERVATION

The Institution has facilities for alternate sources of energy and energy conservation measures. In this regard, the Institute deployed Sensor Based Energy Conservation methods in all labs to minimize the wastage of energy. The related Geotagged photographs are shown below:

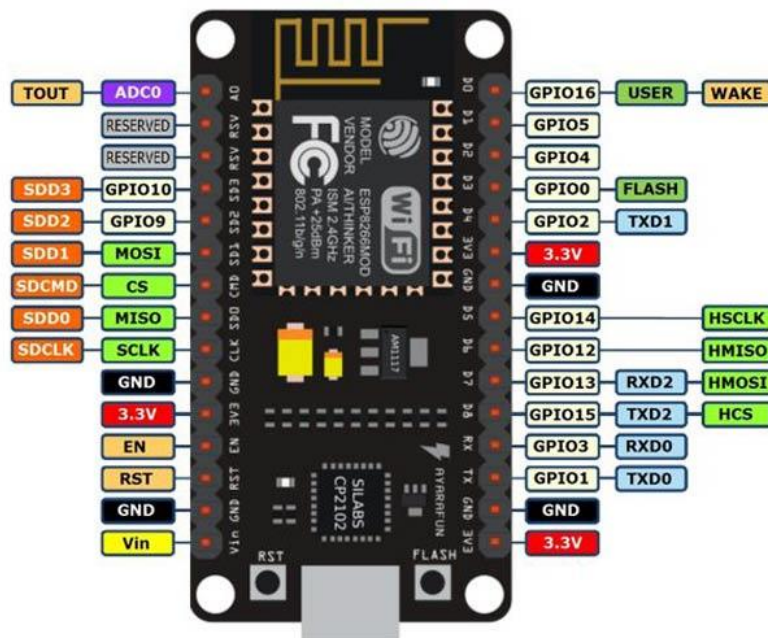
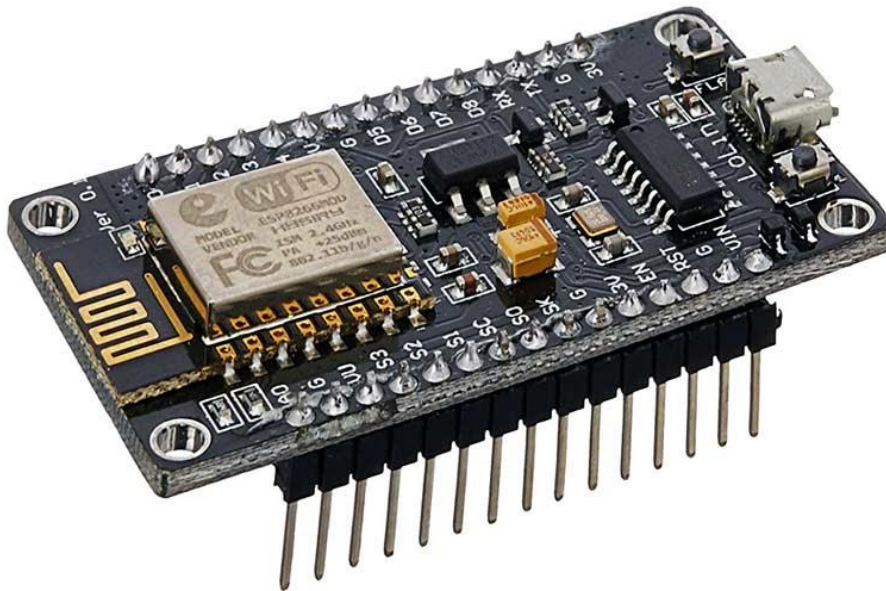




Specifications:

NodeMCU ESP8266:

NodeMCU is an open-source Lua based firmware and **development board** specially targeted for IoT based Applications. It includes firmware that runs on the ESP8266 Wi-Fi SoC from Espressif Systems, and hardware which is based on the ESP-12 module.

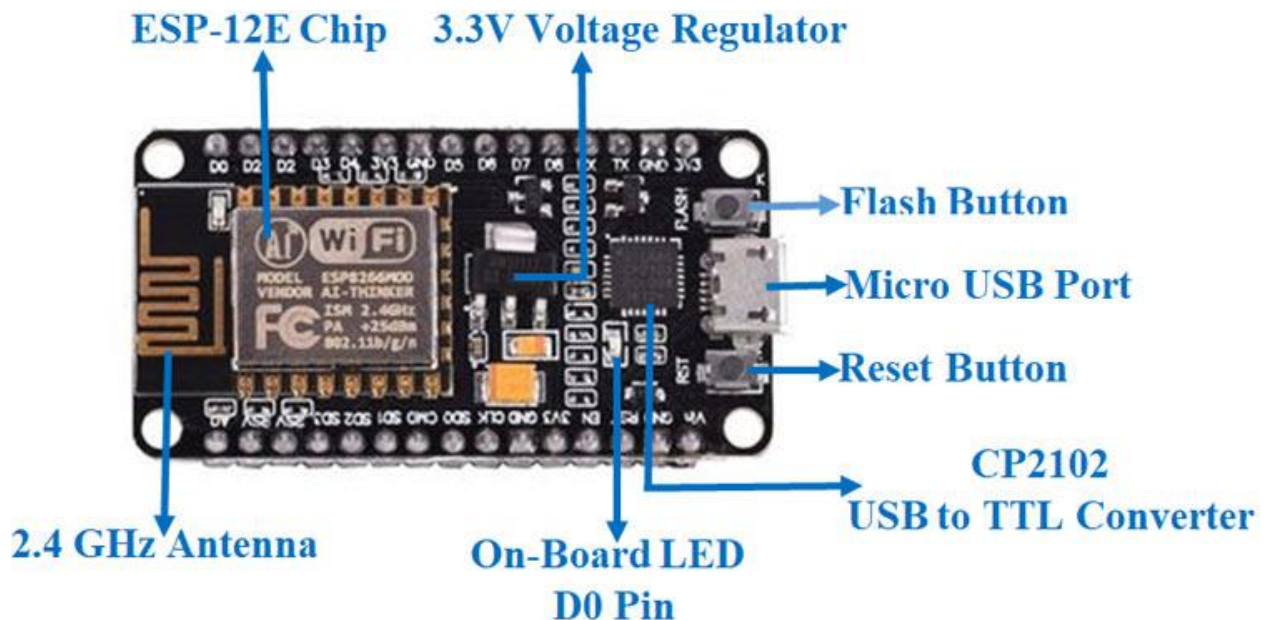


NodeMCU ESP8266 Specifications & Features

- Microcontroller: Tensilica 32-bit RISC CPU Xtensa LX106
- Operating Voltage: 3.3V
- Input Voltage: 7-12V
- Digital I/O Pins (DIO): 16
- Analog Input Pins (ADC): 1
- UARTs: 1
- SPIs: 1
- I2Cs: 1
- Flash Memory: 4 MB
- SRAM: 64 KB
- Clock Speed: 80 MHz
- USB-TTL based on CP2102 is included onboard, Enabling Plug n Play
- PCB Antenna

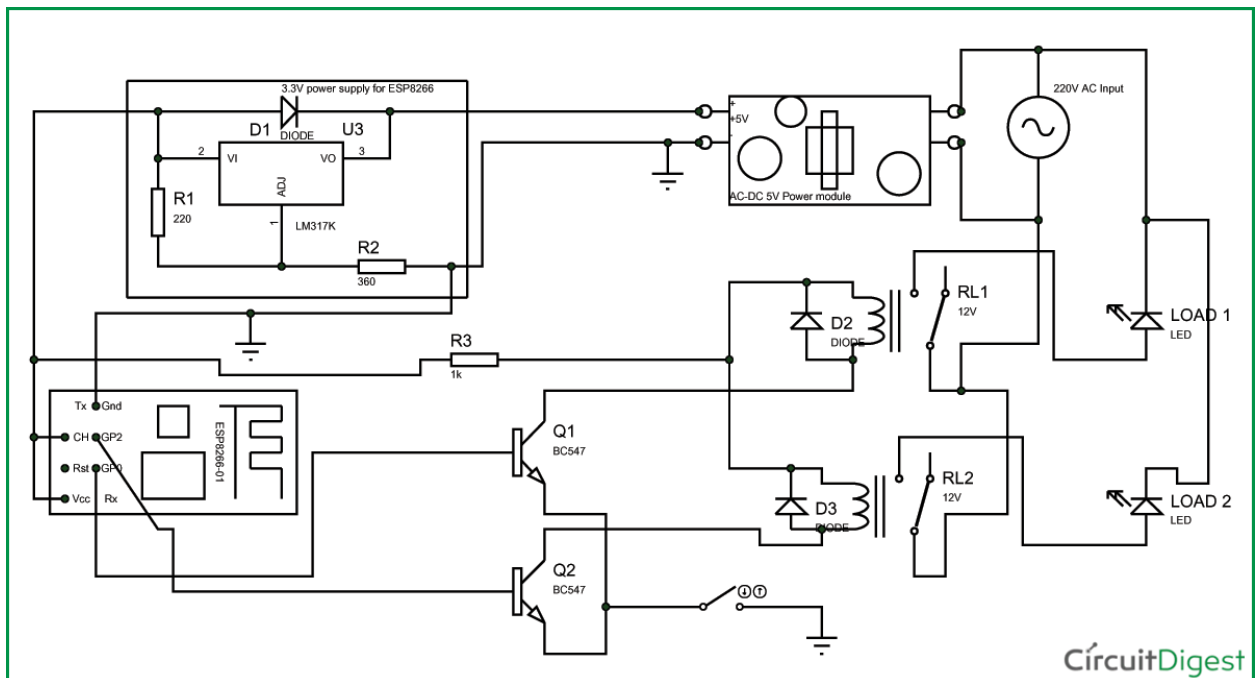
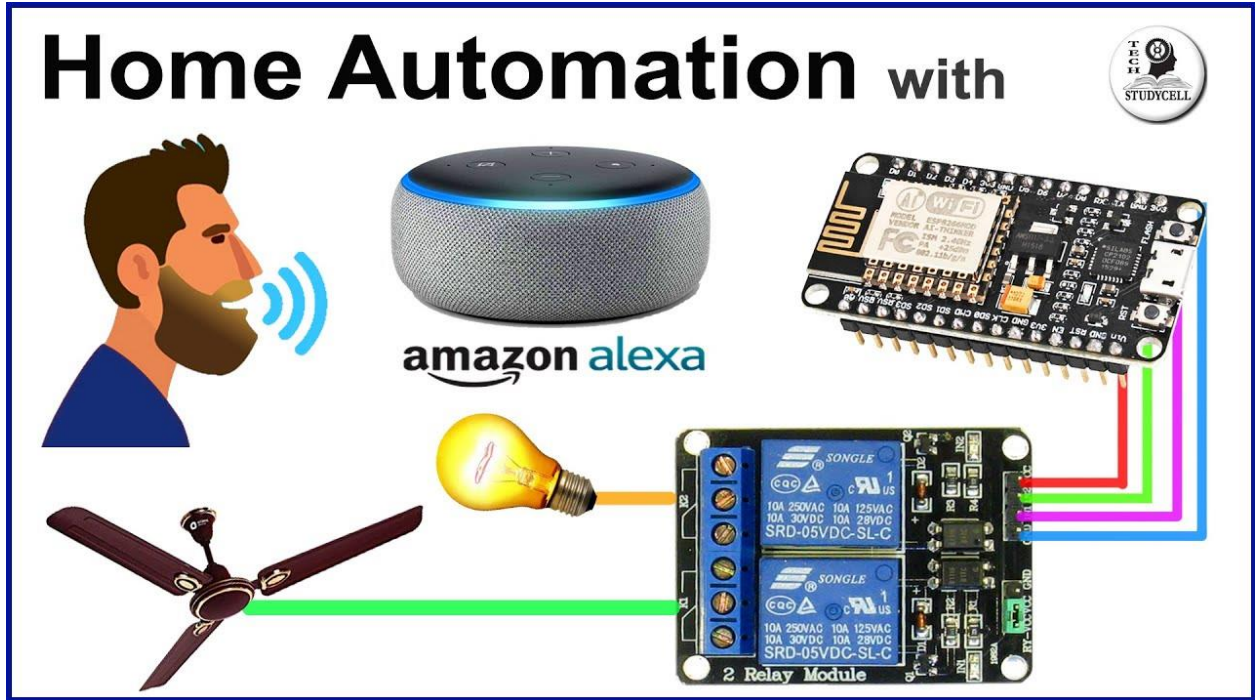
The **NodeMCU ESP8266 development board** comes with the ESP-12E module containing ESP8266 chip having TensilicaXtensa 32-bit LX106 RISC microprocessor. This microprocessor supports RTOS and operates at 80MHz to 160 MHz adjustable clock frequency. NodeMCU has 128 KB RAM and 4MB of Flash memory to store data and programs. Its high processing power with in-built Wi-Fi / Bluetooth and Deep Sleep Operating features make it ideal for IoT projects.

NodeMCU can be powered using Micro USB jack and VIN pin (External Supply Pin). It supports UART, SPI, and I2C interface



Voice Controlled office Automation System using ESP8266 Wi-Fi module:

Home Automation with



Sensor based energy conservation system is implemented in the following Departmental Labs.

AERONAUTICAL ENGINEERING:

List of Labs

1. Aircraft Production Technology Lab
2. Aircraft Engineering drawing Lab
3. Mechanics of Solids and Mechanics of Fluids Lab
4. CAD Lab
5. Aerodynamics & Propulsion Lab
6. Aerospace Structures Lab
7. Computational Structures Lab
8. Programming Language for Mathematical Models
9. Computational Aerodynamics Lab
10. Computational Structures Lab
11. Digital simulation Lab-I
12. Digital simulation Lab-II

COMPUTER SCIENCE AND ENGINEERING:

List of Labs

1. Compiler Design Lab
2. Data Structures Lab
3. Java Programming Lab
4. Database Management Systems Lab
5. Compiler Design Lab
6. Python Programming Lab
7. Web Technologies Lab
8. Mobile Application Development Lab
9. Data Warehousing and Data Mining Lab
10. Linux Programming Lab
11. Advanced Data Structures and Algorithms Lab
12. Internet Technologies and Services Lab

ELECTRONICS AND COMMUNICATION ENGINEERING

List of Labs

1. Electronic Devices and Circuits
2. Basic Simulation Lab
3. Analog Circuits lab
4. Analog Communications Lab
5. Digital Communications Lab
6. LDIC Lab
7. Microprocessors and Microcontrollers Lab
8. Digital Signal Processing Lab
9. ECAD& VLSI LAB
10. Microwave & Digital Communications Lab
11. VLSI lab
12. Embedded Systems lab

ELECTRICAL AND ELECTRONICS ENGINEERING

List of Labs

1. Analog Electronics Lab
2. Elements of Mechanical Engineering Lab
3. Electrical Machines Lab -I
4. Electrical circuits and Simulation Lab
5. Control Systems and Simulation Lab
6. Electrical Machines Lab -II
7. Power Electronics and Simulation Lab
8. Microprocessors and Microcontrollers Lab
9. POWER SYSTEMS LAB
10. ELECTRICAL MEASUREMENTS LABORATORY

HUMANITIES AND SCIENCES

List of Labs

1. Programming for Problem solving Lab
2. Engineering /IT Workshop
3. Basic Electrical and Electronics Engineering Lab
4. English Language Communication Skills Lab
5. Object Oriented Programming Lab
6. Engineering Physics/Chemistry Lab
7. Basic Electrical Engineering Lab
8. English Language Communication Skills Lab

INFORMATION TECHNOLOGY

List of Labs

1. Operating Systems Lab
2. Data Structures Lab
3. Java Programming Lab
4. Data Base Management Systems Lab
5. Python Programming Lab
6. Web Technologies Lab
7. Data Ware Housing And Data mining Lab
8. Linux Programming Lab
9. Mobile Application Development Lab
10. Programming For Application Development Lab

MECHANICAL ENGINEERING

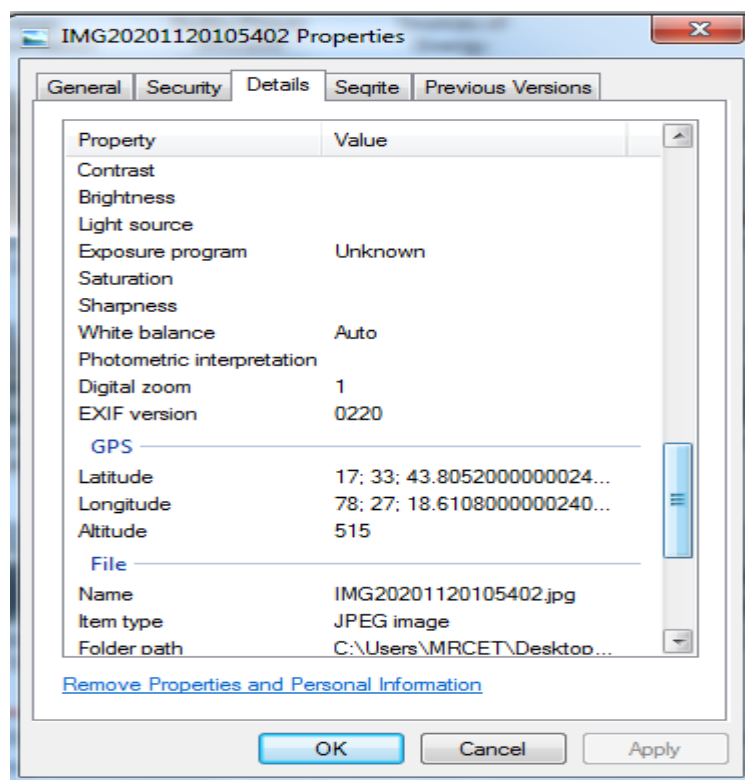
List of Labs

1. Fluid Mechanics and Hydraulic Machinery Lab
2. Materials Engineering Lab
3. Strength of Materials Lab
4. Manufacturing Processes Lab
5. Thermal Engineering & Energy Resources Lab
6. Manufacturing Technology Lab
7. Computer Aided Design and Manufacturing Lab
8. Heat Transfer Lab

9. Automation & Control Engineering Lab
10. Mechanical Measurements and instrumentation Lab
11. Thermal Engineering Laboratory
12. Computational Methods Laboratory
13. Kinematics & Dynamics Lab
14. Computer Aided Testing, Analysis and Modeling Lab

3.USE OF LED BULBS/POWER EFFICIENT EQUIPMENT

The Institution has facilities for alternate sources of energy and energy conservation measures. LED Bulbs/Power efficient equipment are deployed in the campus as energy conservation measure. The related Geotagged photographs are shown below:





IMG20201120101700 Properties

General Security Details **Exif** Previous Versions

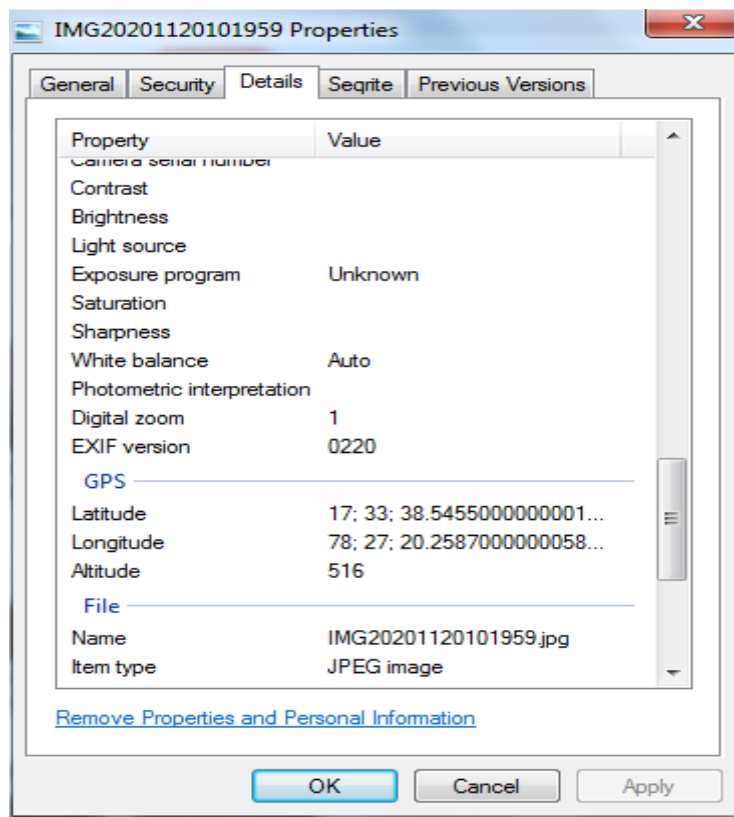
Property	Value
Contrast	
Brightness	
Light source	
Exposure program	Unknown
Saturation	
Sharpness	
White balance	Auto
Photometric interpretation	
Digital zoom	1
EXIF version	0220
GPS	
Latitude	17; 33; 38.7240000000018...
Longitude	78; 27; 20.3961000000126...
Altitude	516
File	
Name	IMG20201120101700.jpg
Item type	JPEG image
Folder path	C:\Users\MRCET\Downlo...

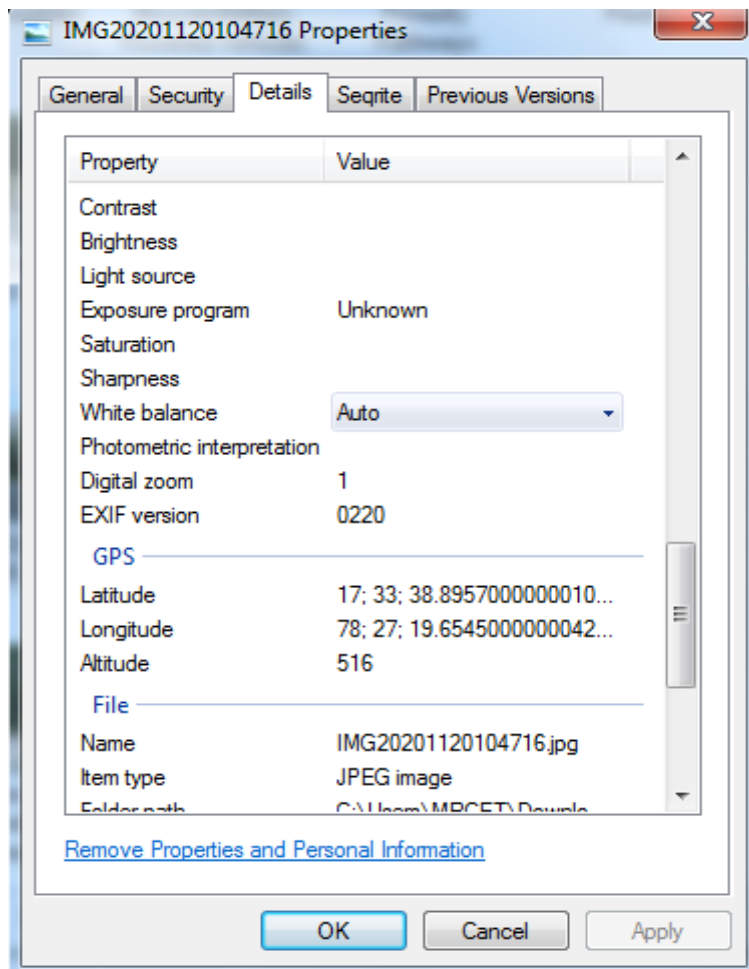
[Remove Properties and Personal Information](#)

OK Cancel Apply



MRCET
17.5624°N, 78.4556°E







IMG20201120100213 Properties

General Security Details **Exif** Previous Versions

Property	Value
Contrast	
Brightness	
Light source	
Exposure program	Unknown
Saturation	
Sharpness	
White balance	Auto
Photometric interpretation	
Digital zoom	1
EXIF version	0220
GPS	
Latitude	17: 33: 38.02360000000005
Longitude	78: 27: 19.27000000000185...
Altitude	516
File	
Name	IMG20201120100213.jpg
Item type	JPEG image
Folder path	C:\Users\MRCET\Desktop

[Remove Properties and Personal Information](#)

OK Cancel Apply

LED bulbs/power efficient equipment is implemented in the following Departmental Labs

AERONAUTICAL ENGINEERING:

List of Labs

1. Aircraft Production Technology Lab
2. Aircraft Engineering drawing Lab
3. Mechanics of Solids and Mechanics of Fluids Lab
4. CAD Lab
5. Aerodynamics & Propulsion Lab
6. Aerospace Structures Lab
7. Computational Structures Lab
8. Programming Language for Mathematical Models
9. Computational Aerodynamics Lab
10. Computational Structures Lab
11. Digital simulation Lab-I
12. Digital simulation Lab-II

COMPUTER SCIENCE AND ENGINEERING:

List of Labs

1. Compiler Design Lab
2. Data Structures Lab
3. Java Programming Lab
4. Database Management Systems Lab
5. Compiler Design Lab
6. Python Programming Lab
7. Web Technologies Lab
8. Mobile Application Development Lab
9. Data Warehousing and Data Mining Lab
10. Linux Programming Lab
11. Advanced Data Structures and Algorithms Lab
12. Internet Technologies and Services Lab

ELECTRONICS AND COMMUNICATION ENGINEERING

List of Labs

1. Electronic Devices and Circuits
2. Basic Simulation Lab
3. Analog Circuits lab
4. Analog Communications Lab
5. Digital Communications Lab
6. LDIC Lab
7. Microprocessors and Microcontrollers Lab
8. Digital Signal Processing Lab
9. ECAD& VLSI LAB
10. Microwave & Digital Communications Lab
11. VLSI lab
12. Embedded Systems lab

ELECTRICAL AND ELECTRONICS ENGINEERING

List of Labs

1. Analog Electronics Lab
2. Elements of Mechanical Engineering Lab
3. Electrical Machines Lab -I
4. Electrical circuits and Simulation Lab
5. Control Systems and Simulation Lab
6. Electrical Machines Lab -II
7. Power Electronics and Simulation Lab
8. Microprocessors and Microcontrollers Lab
9. POWER SYSTEMS LAB
10. ELECTRICAL MEASUREMENTS LABORATORY

HUMANITIES AND SCIENCES

List of Labs

1. Programming for Problem solving Lab
2. Engineering /IT Workshop
3. Basic Electrical and Electronics Engineering Lab
4. English Language Communication Skills Lab
5. Object Oriented Programming Lab
6. Engineering Physics/Chemistry Lab
7. Basic Electrical Engineering Lab
8. English Language Communication Skills Lab

INFORMATION TECHNOLOGY

List of Labs

1. Operating Systems Lab
2. Data Structures Lab
3. Java Programming Lab
4. Data Base Management Systems Lab
5. Python Programming Lab
6. Web Technologies Lab
7. Data Ware Housing And Data mining Lab
8. Linux Programming Lab
9. Mobile Application Development Lab
10. Programming For Application Development Lab

MECHANICAL ENGINEERING

List of Labs

1. Fluid Mechanics and Hydraulic Machinery Lab
2. Materials Engineering Lab
3. Strength of Materials Lab
4. Manufacturing Processes Lab
5. Thermal Engineering & Energy Resources Lab
6. Manufacturing Technology Lab
7. Computer Aided Design and Manufacturing Lab
8. Heat Transfer Lab

9. Automation & Control Engineering Lab
10. Mechanical Measurements and instrumentation Lab
11. Thermal Engineering Laboratory
12. Computational Methods Laboratory
13. Kinematics & Dynamics Lab
14. Computer Aided Testing, Analysis and Modeling Lab



ELECTRICAL LINES

S-4-104/7, Ranigummi, Secunderabad - 500003, Telangana, India.
email: info@electricalines.com, arvlines@gmail.com
Ph: 040 -66996699

GSTIN: 36AAAFE4751E12R / Regular/TDS/ISD

GST TAX INVOICE Local GST Sales

Credit

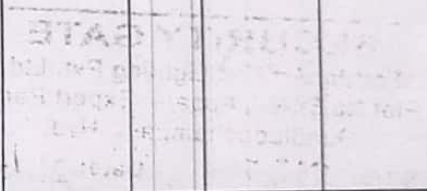
Invoice Number 2019-20/ 19015540	Invoice Date 24-Feb-2020	SAP Ref. No. 19015540	Customer PO No./Date 0026 / 20-Feb-2020
--	------------------------------------	---------------------------------	---

Customer Name: **MALLA REDDY COLLEGE OF ENGINEERING TECHNOLOGY**

GSTIN No. GSTIN Type	GSTUNREGISTERED Regular/TDS/ISD	Billing Address: MALLA REDDY COLLEGE OF ENGINEERING TECHNOLOGY MAISAMMAGUDDI MAIN CAMPUS,MREC DULLAPALLY , KOMPALLY- IN State Code: 36 State Name: Telangana State	Shipping Address: MALLA REDDY COLLEGE OF ENGINEERING TECHNOLOGY MAISAMMAGUDDI MAIN CAMPUS,MREC DULLAPALLY , KOMPALLY- IN	Contact Details: SAHTOSH 9705927313
-------------------------	------------------------------------	---	--	---

SNo	Product Name	Make	HSN Code	Quantity	UOM	Price (INR)	Taxable Value	IGST (INR)		CGST (INR)		SGST (INR)		Total (INR)	
								%	Tax	%	Tax	%	Tax		
1	TLF41/W 20W 4 FEET TUBE LIGHT LFS20FW WHITE (MATERIAL TO BE PLACED IN FACTORY ONLY)	FORTUNEART	9405.40.90	100.00	NOS	297.50	29750.00	0.00	0.00	6.00	1785.00	6.00	1785.00	33320.00	
Freight							0.00	0.00	0.00	0.00	0.00	0.00	0.00	0.00	
Total Amount (INR)							29750.00	0.00	1785.00	1785.00	33320.00				

Smileef
9705927313
24/02/2020



Total Invoice Amount in Words (INR): **Thirty-Three Thousand Three Hundred Twenty only**

<ul style="list-style-type: none"> 1. Goods once sold will not be taken back 2. Our responsibility ceases once the goods are delivered 3. Whether the tax is payable on reverse charge basis: [No] 4. Material under warranty are subjected to replacement at our head office only. 5. Technical stopover are subject to service charges* 	Bank Details: Electrical Lines HDFC Bank S D Road Acc No - 50200022822625 IFSC Code - HDFC0000042	For ELECTRICAL LINES Signature of the Authorized Representative
--	--	---



ELECTRICAL LINES

5-4-1047, Ranigunj, Secunderabad - 500003, Telangana, India.

email: info@electricalines.com, arvlines@gmail.com

Ph: 040 -66996599

GSTIN: 36AAAFE4751E1ZR / Regular/TDS/ISD

GST TAX INVOICE

Local GST Sales

Credit

Invoice Number 2019-20/ 19012515	Invoice Date 16-Dec-2019	SAP Ref. No. 19012515	Customer PO. No./Date /
-------------------------------------	-----------------------------	--------------------------	----------------------------

Customer Name: **MALLA REDDY COLLEGE OF ENGINEERING TECHNOLOGY**

GSTIN No: GSTIN Type	GSTUNREGISTERED Regular/TDS/ISD	Billing Address: MALLA REDDY COLLEGE OF ENGINEERING TECHNOLOGY MAISAMMAGUDDI MAIN CAMPUS,MREC DULLAPALLY , KOMPALLY- IN State Code: 36 State Name: Telangana State	Shipping Address: MALLA REDDY COLLEGE OF ENGINEERING TECHNOLOGY MAISAMMAGUDDI MAIN CAMPUS,MREC DULLAPALLY , KOMPALLY- IN	Contact Details: SANTOSH 9705927313
-------------------------	------------------------------------	---	--	---

SNo	Product Name	Make	HSN Code	Quantity	UOM	Price (INR)	Taxable Value	IGST (INR)		CGST (INR)		SGST (INR)		Total (INR)
								%	Tax	%	Tax	%	Tax	
1	LEL20Q/4W 20W LED EDGE LIGHT SQUARE WHITE <i>entd</i>	FORTUNEART	9405.00.00	200.00	NOS	500.00	100000.00	0.00	0.00	6.00	6000.00	6.00	6000.00	112000.00

FILMORE	
OUTWARD <i>C</i>	
No.	DATE
3110	16/12/19

Frankel
9705927313
16/12/19

Freight	0.00	0.00	0.00	0.00	0.00	0.00	0.00
Total Amount (INR)	100000.00	0.00	6000.00	6000.00	112000.00		

Total Invoice Amount in Words (INR): One lakhs Twelve Thousand only

- 1. Goods once sold will not be taken back
- 2. Our responsibility ceases once the goods are delivered
- 3. Whether the tax is payable on reverse charge basis: [No]
- 4. Material under warranty are subjected to replacement at our head office only
- 5. Technical stopover are subject to service charges*

Bank Details:
Electrical Lines
HDFC Bank S D Road
Acc No - 5020022822625
IFSC Code - HDFC0000042

For ELECTRICAL LINES
Signature of the Authorized Representative



ELECTRICAL LINES

5-4-104/7, Ranigunj, Secunderabad - 500003, Telangana, India.

email: info@electricalines.com, arvlines@gmail.com

Ph: 040 -66996699

GSTIN: 36AAAFE4751E1ZR / Regular/TDS/ISD

GST TAX INVOICE Local GST Sales

Credit

Invoice Number
2019-20/ 19005726

Invoice Date
29-Jul-2019

SAP Ref. No.
19005726

Customer PO No./Date

Customer Name: **MALLA REDDY COLLEGE OF ENGINEERING AND TECHNOLOGY**

GSTIN No. GSTUNREGISTERED
GSTIN Type Regular/TDS/ISD

Billing Address:
MALLA REDDY COLLEGE OF ENGINEERING AND TECHNOLOGY
MAISAMMAGUDDI MAIN CAMPUS,MREC
DULLAPALLY, KOMPALLY-
IN
State Code: 36 State Name: Telangana State

Shipping Address:
MALLA REDDY COLLEGE OF ENGINEERING AND TECHNOLOGY
MAISAMMAGUDDI MAIN CAMPUS,MREC
DULLAPALLY, KOMPALLY-
IN

Contact Details:

SNo	Product Name	Make	HSN Code	Quantity	UOM	Price [INR]	Taxable Value	IGST [INR]		CGST [INR]		SGST [INR]		Total [INR]
								%	Tax	%	Tax	%	Tax	
1	TLF41W 20W 4 FEET TUBE LIGHT LFS20FW WHITE	FORTUNEART	9405.40.90	50.00	NOS	297.50	14875.00	0.00	0.00	6.00	892.50	6.00	892.50	16660.00
Freight														
Total Amount [INR]							0.00	0.00	0.00	0.00	0.00	0.00	0.00	0.00
Total Invoice Amount in Words (INR):							14875.00		0.00		892.50		892.50	16660.00
Sixteen Thousand Six Hundred Sixty only														

1. Goods once sold will not be taken back
2. Our responsibility ceases once the goods are delivered
3. Whether the tax is payable on reverse charge basis : [No]
4. Material under warranty are subjected to replacement at our head office only.

Bank Details:
Electrical Lines
HDFC Bank S D Road
Acc No - 5020002282625

For **ELECTRICAL LINES**

Signature of the Authorized Representative



ELECTRICAL LINES

5-4-1047, Ranigunj, Secunderabad - 500003, Telangana, India.
 email: info@electricalines.com, arvlines@gmail.com
 Ph: 040-66980000

GSTIN: 36AAFE4751E1ZR / Regular/TDS/IBD

GST TAX INVOICE

Local GST Sales

CIN

Customer P.P. No. 15/16

Invoice Number 2019-20/ 19012488	Invoice Date 14-Dec-2019	SNP Ref. No. 19012488	/
-------------------------------------	-----------------------------	--------------------------	---

Customer Name: MALLA REDDY COLLEGE OF ENGINEERING TECHNOLOGY			
GSTIN No: GSTIN Type	GSTUNREGISTERED Regular/TDS/IBD	Billing Address: MALLA REDDY COLLEGE OF ENGINEERING TECHNOLOGY MAISAMMAGUDDI MAIN CAMPUS,MREC DULLAPALLY, KOMPALLY- IN State Code: 36 State Name: Telangana State	Shipping Address: MALLA REDDY COLLEGE OF ENGINEERING TECHNOLOGY MAISAMMAGUDDI MAIN CAMPUS,MREC DULLAPALLY, KOMPALLY- IN Contact Details: SANTOSH 9199927313

SNo	Product Name	Make	HSN Code	Quantity	UOM	Price [INR]	Taxable Value	IGST [INR]		CGST [INR]		SGST [INR]		Total [INR]
								%	Tax	%	Tax	%	Tax	
1	TLF41/W 20W 4 FEET TUBE LIGHT LFS20FW WHITE <i>en2d</i>	FORTUNEART	9405.40.90	100.00	NOS	297.50	29750.00	0.00	0.00	6.00	1785.00	6.00	1785.00	33220.00
Freight							0.00	0.00	0.00	0.00	0.00	0.00	0.00	0.00
Total Amount [INR]							29750.00	0.00	1785.00	1785.00	33220.00			

Santhosh
 16/12/19
 9705927313

Total Invoice Amount in Words (INR): **Thirty-Three Thousand Three Hundred Twenty only**

<ol style="list-style-type: none"> Goods once sold will not be taken back Our responsibility ceases once the goods are delivered Whether the tax is payable on reverse charge basis : [No] Material under warranty are subjected to replacement at our head office only. Technical stopover are subject to service charges* 	Bank Details: Electrical Lines HDFC Bank S D Road Acc No - 50200022822825 IFSC Code - HDFC0000042	For ELECTRICAL LINES Signature of the Authorized Representative
--	--	---

ELECTRICAL LINES

5-4-104/7, Ranigunj, Secunderabad - 500003, Telangana, India.

email: info@electricalines.com, arylines@gmail.com

Ph: 040 -60996699

GSTIN: 36AAAFE4751E1ZR / Regular/TDS/ISD

GST TAX INVOICE

Local GST Sales

Credit

Invoice Number 2019-20/ 19005727	Invoice Date 29-Jul-2019	SAP Ref. No. 19005727	Customer PO No. /
-------------------------------------	-----------------------------	--------------------------	----------------------

Customer Name: **MALLA REDDY COLLEGE OF ENGINEERING AND TECHNOLOGY**

GSTIN No: GSTUNREGISTERED

GSTIN Type: Regular/TDS/ISD

Billing Address:

MALLA REDDY COLLEGE OF ENGINEERING AND TECHNOLOGY
MAISAMMAGUDDI MAIN CAMPUS,MREC
DULLAPALLY , KOMPALLY-
IN

State Code: 36

State Name: Telangana State

Shipping Address:

MALLA REDDY COLLEGE OF ENGINEERING AND TECHNOLOGY
MAISAMMAGUDDI MAIN CAMPUS,MREC
DULLAPALLY , KOMPALLY-
IN

Contact Details:

SNo	Product Name	Make	HSN Code	Quantity	UOM	Price [INR]	Taxable Value	IGST [INR]		CGST [INR]		SGST [INR]		Total
								%	Tax	%	Tax	%	Tax	
1	85/03 FR 270MTRS RED M/S FLEX WIRE	FORTUNEART	8544.60.90	2.00	COIL	7354.80	14709.60	0.00	0.00	9.00	1323.86	9.00	1323.86	1
2	56/03 FR 180 MTRS BLACK M/S FLEX WIRE	FORTUNEART	8544.60.90	5.00	COIL	3229.20	16146.00	0.00	0.00	9.00	1453.14	9.00	1453.14	11
3	36/03 FR 270MTRS BLACK M/S FLEX WIRE	FORTUNEART	8544.60.90	28.00	COIL	3191.40	89359.20	0.00	0.00	9.00	8042.33	9.00	8042.33	159
4	14/03 FR 270MTRS RED M/S FLEX WIRE	FORTUNEART	8544.60.90	2.00	COIL	1296.00	2592.00	0.00	0.00	9.00	233.28	9.00	233.28	1
5	14/03 FR 270MTRS BLACK M/S FLEX WIRE	FORTUNEART	8544.60.90	37.00	COIL	1296.00	47952.00	0.00	0.00	9.00	4315.68	9.00	4315.68	5
6	14/03 FR 270MTRS BLUE M/S FLEX WIRE	FORTUNEART	8544.60.90	25.00	COIL	1296.00	32400.00	0.00	0.00	9.00	2916.00	9.00	2916.00	3
7	14/03 FR 270MTRS GREEN M/S FLEX WIRE	FORTUNEART	8544.60.90	20.00	COIL	1296.00	25920.00	0.00	0.00	9.00	2332.80	9.00	2332.80	3
Freight							0.00	0.00	0.00	0.00	0.00	0.00	0.00	0.00
Total Amount [INR]							229078.80	0.00	20817.09	20817.09	20817.09	20817.09	20817.09	2

Total Invoice Amount in Words (INR): Two lakhs Seventy Thousand Three Hundred Twelve and Ninety-Eight only

1. Goods once sold will not be taken back

2. Our responsibility ceases once the goods are delivered

3. Whether the tax is payable on reverse charge basis : [No]

4. Material under warranty are subjected to replacement at our head office only.

Bank Details:

Electrical Lines

HDFC Bank S D Road

Acc No - 5020002282035

For ELECTRICAL LINE

Signature of the Authorized Represent



ELECTRICAL LINES

5-4-104/7, Ranigunj, Secunderabad - 500003, Telangana, India

email: info@electricalines.com, arvlines@gmail.com

Ph: 040 -66996899

GSTIN: 36AAAFE4751E1ZR / Regular/TDS/ISD

GST TAX INVOICE

Local GST Sales

Credit

Invoice Number 2019-20/ 19005487	Invoice Date 25-Jul-2019	SAP Ref. No. 19005487	Customer PO. No./Date /
-------------------------------------	-----------------------------	--------------------------	----------------------------

Customer Name: **MALLA REDDY COLLEGE OF ENGINEERING AND TECHNOLOGY**

GSTIN No: GSTUNREGISTERED
 GSTIN Type: Regular/TDS/ISD

Billing Address:
 MALLA REDDY COLLEGE OF ENGINEERING AND TECHNOLOGY
 MAISAMMAGUDDI MAIN CAMPUS,MREC
 DULLAPALLY , KOMPALLY-
 IN
 State Code: 36 State Name: Telangana State

Shipping Address:
 MALLA REDDY COLLEGE OF ENGINEERING AND TECHNOLOGY
 MAISAMMAGUDDI MAIN CAMPUS,MREC
 DULLAPALLY , KOMPALLY-
 IN

Contact Details:

SNo	Product Name	Make	HSN Code	Quantity	UOM	Price [INR]	Taxable Value	IGST [INR]		CGST [INR]		SGST [INR]		Total [INR]	
								%	Tax	%	Tax	%	Tax		
1	TLF41AV 20W 4 FEET TUBE LIGHT LFS20FW WHITE	FORTUNEART	9405.40.90	200.00	NOS	297.50	59500.00	0.00	0.00	6.00	3570.00	6.00	3570.00	66640.00	
Freight							0.00	0.00	0.00	0.00	0.00	0.00	0.00	0.00	
Total Amount [INR]							59500.00	0.00	3570.00	3570.00	66640.00				
Total Invoice Amount in Words (INR):							Sixty-Six Thousand Six Hundred Forty only								

1. Goods once sold will not be taken back
2. Our responsibility ceases once the goods are delivered
3. Whether the tax is payable on reverse charge basis : [No]
4. Material under warranty are subjected to replacement at our head office only.

Bank Details:
 Electrical Lines
 HDFC Bank S D Road
 Acc No - 502000228226

For **ELECTRICAL LINES**
 Signature of the Authorized Representative

ELECTRICAL LINES

5-4-104/7, Ranigunj, Secunderabad - 500003, Telangana, India.

email: info@electricalines.com, arvlines@gmail.com

Ph: 040 -66996699

GSTIN: 36AAAFE4751E1ZR / Regular/TDS/ISD

GST TAX INVOICE

Local GST Sales

Credit

Customer PO. No./Date

Invoice Number
2019-20/ 19005230

Invoice Date
18-Jul-2019

SAP Ref. No.
19005230

Customer Name: **MALLA REDDY COLLEGE OF ENGINEERING AND TECHNOLOGY**

GSTIN No: GSTUNREGISTERED
GSTIN Type: Regular/TDS/ISD

Billing Address:
MALLA REDDY COLLEGE OF ENGINEERING AND TECHNOLOGY
MAISAMMAGUDDI MAIN CAMPUS, MREC
DULLAPALLY, KOMPALLY-
IN
State Code: 36 State Name: Telangana State

Shipping Address:
MALLA REDDY COLLEGE OF ENGINEERING AND TECHNOLOGY
MAISAMMAGUDDI MAIN CAMPUS, MREC
DULLAPALLY, KOMPALLY-
IN

Contact Details:

SNo	Product Name	Make	HSN Code	Quantity	UOM	Price [INR]	Taxable Value	IGST [INR]		CGST [INR]		SGST [INR]		Total [INR]
								%	Tax	%	Tax	%	Tax	
1	85/03 FR 270MTRS RED M/S FLEX WIRE	FORTUNEART	8544.60.90	10.00	COIL	7354.80	73548.00	0.00	0.00	9.00	6619.32	9.00	6619.32	86786.64
2	85/03 FR 270MTRS YELLOW M/S FLEX WIRE	FORTUNEART	8544.60.90	5.00	COIL	7354.80	36774.00	0.00	0.00	9.00	3309.66	9.00	3309.66	43393.32
3	85/03 FR 270MTRS BLUE M/S FLEX WIRE	FORTUNEART	8544.60.90	2.00	COIL	7354.80	14709.60	0.00	0.00	9.00	1323.86	9.00	1323.86	17357.33
4	36/03 FR 270MTRS RED M/S FLEX WIRE	FORTUNEART	8544.60.90	47.00	COIL	3191.40	149995.80	0.00	0.00	9.00	13499.62	9.00	13499.62	176995.04
5	36/03 FR 270MTRS BLACK M/S FLEX WIRE	FORTUNEART	8544.60.90	3.00	COIL	3191.40	9574.20	0.00	0.00	9.00	861.68	9.00	861.68	11297.56
6	14/03 FR 270MTRS RED M/S FLEX WIRE	FORTUNEART	8544.60.90	4.00	COIL	1296.00	5184.00	0.00	0.00	9.00	466.56	9.00	466.56	6117.12
7	14/03 FR 270MTRS BLACK M/S FLEX WIRE	FORTUNEART	8544.60.90	4.00	COIL	1296.00	5184.00	0.00	0.00	9.00	466.56	9.00	466.56	6117.12
Freight							0.00	0.00	0.00	0.00	0.00	0.00	0.00	0.00
Total Amount [INR]							294969.60	0.00	0.00	26547.26	0.00	26547.26	0.00	0.00
Total Invoice Amount in Words (INR):							Three lakhs Forty-Eight Thousand Sixty-Four and Thirteen only							

- Goods once sold will not be taken back
- Our responsibility ceases once the goods are delivered
- Whether the tax is payable on reverse charge basis : [No]
- Material under warranty are subjected to replacement at our head office only.

Bank Details:
Electrical Lines
HDFC Bank S D Road
Acc No - 50200022822625

For ELECTRICAL LINES

Signature of the Authorized Representative

The Institution has facilities for alternate sources of energy and energy conservation measures. The Institution has implemented LED based energy conservation system to reduce the power consumption LED Bulbs/Power efficient equipment is deployed in the campus as energy conservation measure. The energy consumption before implementation of the systems is very high. Power consumption is reduced drastically after the implementation of this system. In this way college has taken measures to save the power. The power consumption bill before implementation of the system is as follows.

SOUTHERN POWER DISTRIBUTION COMPANY OF TS LIMITED
HT C.C. Bill for the month of February 2018, Date: 26-Feb-18
PAYABLE ON OR BEFORE dated: 12-Mar-18 DISCONNECTION DATE: 27-Mar-18

Contracted MD (KVA/HP)	100	Consumer No.	MCL2001
Specified Voltage (KV)	11	Name	M/S. C.M.R EDUCATIONAL SOCIETY
Actual Voltage (KV)	11	ADDRESS1	SY.NO.592 & 593,MAISAMMAGUDA(V
Feeder	CF	ADDRESS2	GUNDLA POCHAMPALLY,
Category	2	ADDRESS3	R.R.DIST

	KWH	KVAH	KVA	TOD1	TOD2
Reading On 22-FEB-18	10850.00	11174.00	0.43	1895.00	2325.00
Reading On 22-JAN-18	10669.00	10986.00		1863.00	2287.00
Difference ST:01	181.00	188.00		32.00	38.00
Multiplying Factor	200.00	200.00	200.00	200.00	200.00
Total Consumption	36200.00	37600.00	85.20	6400.00	7600.00
Monthly Minimim Units	2130.00		80.00		
Main Consumption	37600.00	Colony	0.00	L&F	0.00

	RATE	KVA/UNITS	AMOUNT Rs.
Demand Charges Normal	Rs.390	85.2	33228.00
Demand Charges Penal	Rs.780	0	0.00
Energy Charges	Ps.780	37600	293280.00
TOD Charges	Ps.100	14000	14000.00
Electricity Duty	Ps.6	37600	2256.00
Colony Charges	Ps.630	0	0.00
L&F Charges	Ps.780	0	0.00
FSA Charges			0.00

Supplier Name	NetKWH	KVA	TOD	Sub Total	AMOUNT Rs.
					342764
				Cust Charges	1685.00
				ACD Surc	0.00
				UI Charges	0
				CS Surcharge	0.00
				Addl.SCHG OA	0.00
				Late Pmt Chrg	0.00
				Interest on ED	0
				Incentive TOD1	-8800.00
				Incentive TOD2	-3000.00
				Wheeling Charges	0
				Transmission Charges	0
				Other Charges-I	0
				Other Charges-II	0
*****Arrears as on 23/02/18*****				Gross Total	332649
	C.C.Charge	Surcharge	Inc. Rec. from Govt.		0
Court Cases	Rs. 0		Other Credit Adj.		
Others	Rs. 0		Net Bill Amount		332649
Total	Rs. 0		Total Arrears		0
*****				Total Amount Payable	332649

Note: ACD Due for 2017-18 Rs. 0

Three Lakh Thirty Two Thousand Six Hundred and Fourty Nine Only

Note: This bill is settled based on the provisions of inter state settlements.

If any short fall occurred in this bill due to the inter state Open Access provisions, the same will be levied in your future bills.

Note: PAY YOUR BILL THROUGH THE SBI A/C NO.62308016852
GUNFOUNDRY, HYDERABAD, IFSC CODE: SBIN0020066

Senior Accounts Officer
OP: CIRCLE

The power consumption bill after implementation of the system is as follows.

SOUTHERN POWER DISTRIBUTION COMPANY OF TS LIMITED
 HT C.C. Bill for the month of November 2020, Date: 26-Nov-20
 PAYABLE ON OR BEFORE dated: 10-Dec-20 DISCONNECTION DATE: 25-Dec-20

Contracted MD (KVA/HP) 70	Consumer No. MCL2001
Specified Voltage (KV) 11	Name M/S. C.M.R EDUCATIONAL SOCIETY
Actual Voltage (KV) 11	ADDRESS1 SY.NO.592 & 593,MAISAMMAGUDA(V
Feeder : 107311140207 (CF)	ADDRESS2 GUNDLA POCHAMPALLY,
Category 2	ADDRESS3 R.R.DIST

	KWH	KVAH	KVA	TOD1	TOD2
Reading On 22-NOV-20	14901.90	15342.80	0.20	2667.67	3052.00
Reading On 22-OCT-20	14846.00	15284.30		2655.69	3043.04
Difference ST:01	55.90	58.50		11.98	8.96
Multiplying Factor	200.00	200.00	200.00	200.00	200.00
Total Consumption	11180.00	11700.00	40.60	2396.00	1792.00
Monthly Minimum Units	1400.00		56.00		
Main Consumption	11700.00	Colony	0.00	L&F	0.00

	RATE	KVA/UNITS	AMOUNT Rs.
Demand Charges Normal	Rs.390	56	21840.00
Demand Charges Penal	Rs.780	0	0.00
Energy Charges	Ps.780	11700	91260.00
TOD Charges	Ps.100	4188	4188.00
Electricity Duty	Ps.6	11700	702.00
Colony Charges	Ps.630	0	0.00
L&F Charges	Ps.780	0	0.00
FSA Charges			0.00

Supplier Name	NetKWH	KVA	TOD	Sub Total	
				117990	
				Cust Charges	1685.00
				ACD SCHG	0.00
				UI Charges	0
				CS Surcharge	0.00
				Addl.SCHG OA	0.00
				Late Pmt Chrg	0.00
				Interest on ED	0
				Incentive TOD1	-2030.00
				Incentive TOD2	-688.00
				Wheeling Charges	0
				Transmission Charges	0
				Other Charges-I	0
				Other Charges-II	0
				Gross Total	116957.00
				C.C.Charge	0
				Surcharge	0
				IT TCS U/s 206C(1H)	0.00
				Other Credit Adj.	0
				Net Bill Amount	116957
				Total Arrears	0
				Total Amount Payable	116957

Note: ACD Due for 2020-21 Rs. 0
 One Lakh Sixteen Thousand Nine Hundred and Fifty Seven Only
 Note: This bill is settled based on the provisions of inter state settlements.
 If any short fall occurred in this bill due to the inter state Open Access provisions, the same will be levied in your future bills.
 Note: PAY YOUR BILL THROUGH THE SBI A/C NO.SPDCPLMCL2001 IFSC CODE: SBIN0004266
 Senior Accounts Officer
 OP.CIRCLE